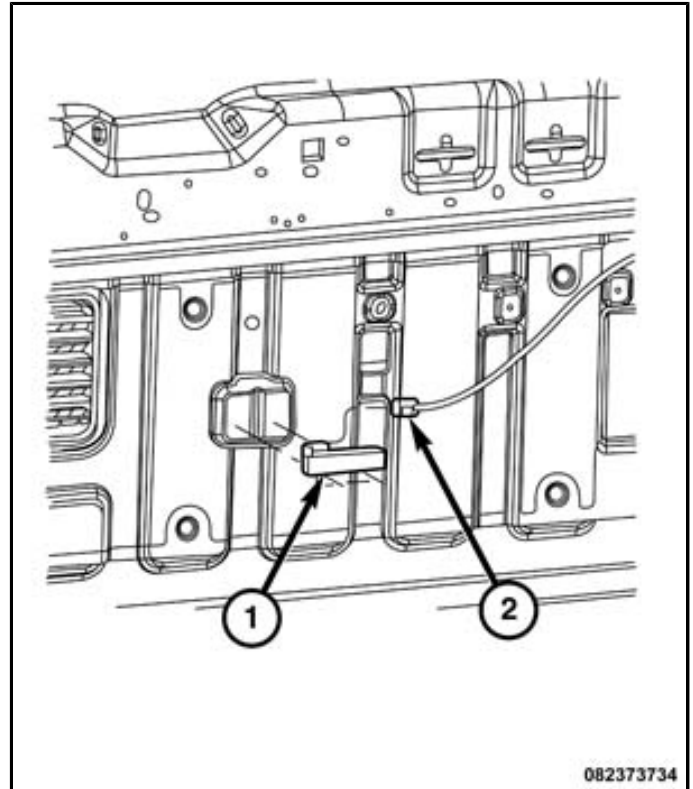


REAR CABIN WALL

1. Disconnect negative battery cable from the negative terminal on the battery.
2. Flip the right rear seat cushion back so that you can adjust the seat back.
3. Remove the right rear seat rear inboard bolt with seat belt buckle. (Refer to 10 - Restraints/SEAT BELT/ Removal)
4. Remove the right rear seat assembly. (Refer to 23 - Body/Seats/SEAT, Rear/Removal)
5. Remove the right rear child seat tether and anchor. (Refer to 10 - Restraints/ANCHOR, Child Seat/ Removal)
6. Loosen or remove the rear cabin wall to gain access to the RF antenna assembly (1). (Refer to 23 - Body/ Interior/PANEL, Cab Back Trim/Removal)
7. Disconnect the connector (2) from the LF antenna.



8. Remove both fasteners (3) to remove the LF antenna assembly.

