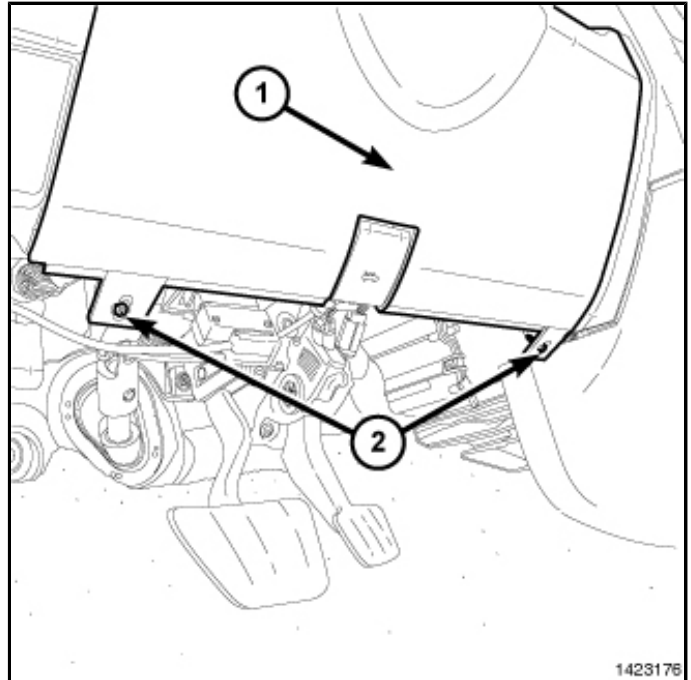
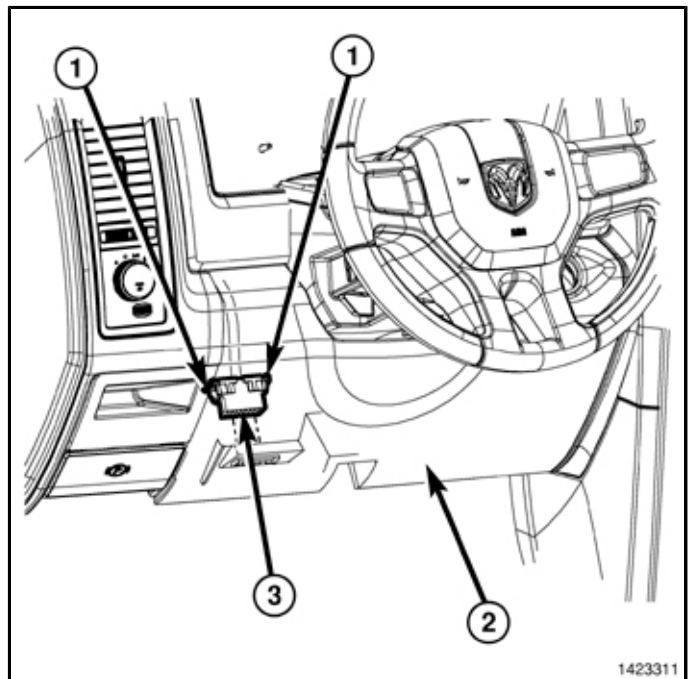


REMOVAL

1. Using a trim stick [C-4755](#) or equivalent, disengage the retainer clip that secures the hood release to the steering column opening cover, and remove the hood release handle from the cover.
2. Remove the two fasteners (2) that secure the bottom of the steering column opening cover (1) to the instrument panel.



3. Remove the Data Link Connector (3) from the steering column opening cover (2) by pressing in the tabs (1) and pushing the connector through the opening on the back side of the cover.



- Using a trim stick [C-4755](#) or equivalent, release the retainer clips that secure the steering column opening cover (1) to the instrument panel and remove the cover.

